

K-BUG 5050 and K-BUG 6050

**DIGITAL, COMPACT, STAND ALONE
PENDULUM WEAVE WELDER & LINEAR WEAVE WELDER**

**Increases welding production
Improves weld quality
Reduces operator fatigue**



Bug-O Systems

Automated Cutting and Welding Systems.

412-331-1776 www.bugo.com

Bug-O Systems is guided by honesty, integrity and ethics in service to our customers and in all we do.



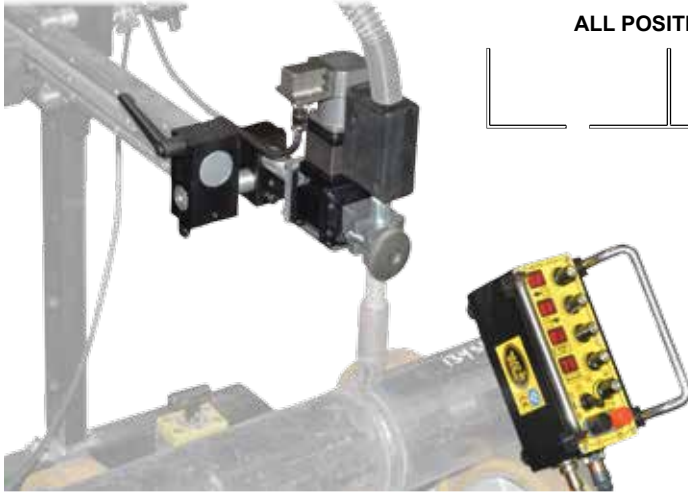
K-BUG 5050 DIGITAL COMPACT PENDULUM WEAVE WELDER

K-BUG 5050 Pendulum

INDUSTRY PROVEN

Heavy Fabrication & Manufacturing, Shipyards, Oil & Gas Industry

WELDING APPLICATIONS:



ALL POSITION FILLETS



LAP JOINTS



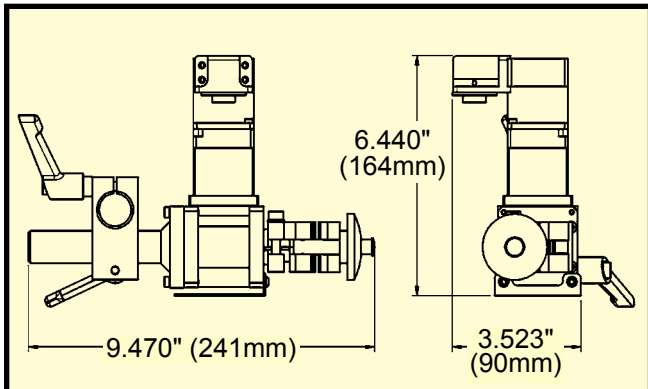
SEAM WELDS



Features:

- Compact, lightweight design for ease of use
- Independent control of dwell times from 0 - 10 seconds
- Magnetic control box
- Torch "Quick Connect"
- Weave speed and width controls
- Modular design for a multitude of applications
- Motor with high ratio gearbox for pendulum motion prevents torch movement when power is off
- High speed motor for pendulum weaving
- Programmable puddle control and crater fill times
- Independent control of pendulum weaving right and left dwell times
- Closed loop speed control to prevent drift from center weld position
- Storage of motion parameters after power is turned off
- Weld Contactor ON/OFF Switch

Dimensions:



Accessories:

For K-BUG 5050 & 6050

Freestanding Torch Support FTS-1020



- Small, manually operated torch manipulator
- Provides effortless and smooth positioning of cutting torch or welding gun

Freestanding Torch Support with Automatic Height Control

FTS-1025 110 Volt
FTS-1025-240 240 Volt



- Compact, easy to use system
- Designed to maintain constant torch-to-work distance
- Measuring amperage output, the controller will raise up or down to maintain precise torch work distance automatically

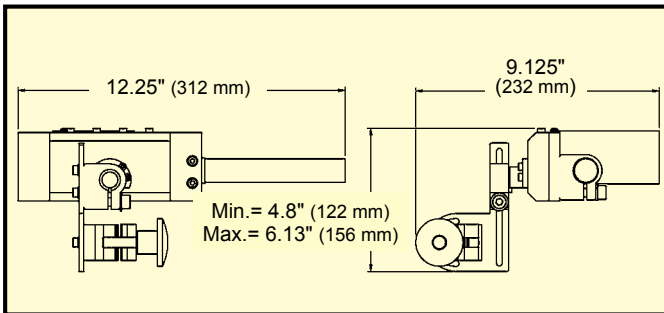


K-BUG 6050 DIGITAL COMPACT LINEAR WEAVE WELDER

K-BUG 6050 Linear



Dimensions:



INDUSTRY PROVEN

Heavy Fabrication & Manufacturing, Shipyards, Oil & Gas Industry

WELDING APPLICATIONS:

SEAM WELDS



Features:

- Compact, lightweight design for ease of use
- Independent control of dwell times from 0 - 10 seconds
- Magnetic control box
- Torch "Quick Connect"
- Weave speed and width controls
- Modular design for a multitude of applications
- Weaver motor design prevents torch movement when power is off
- Closed loop speed and position control
- High speed motor for linear weaving
- Programmable puddle build and crater fill times
- Independent control of linear weaving right and left dwell times
- Closed loop speed control to prevent drift from center of stroke
- Storage of motion parameters after power is turned off
- Weld Contactor ON/OFF Switch

Torch Options:

For K-BUG 5050 & 6050



SBG-450-L-(A)-(B) 450 Amp Gun/Lincoln 3/4" (19 mm)

For LN7, LN8, LN9, LN25, LN742, Synergic 7 & LN10 w/ adapter

SBG-450-T-(A)-(B) 450 Amp Gun/Lincoln Std.

For all other Lincoln products

SBG-450-M-(A)-(B) 450 Amp Gun/Miller

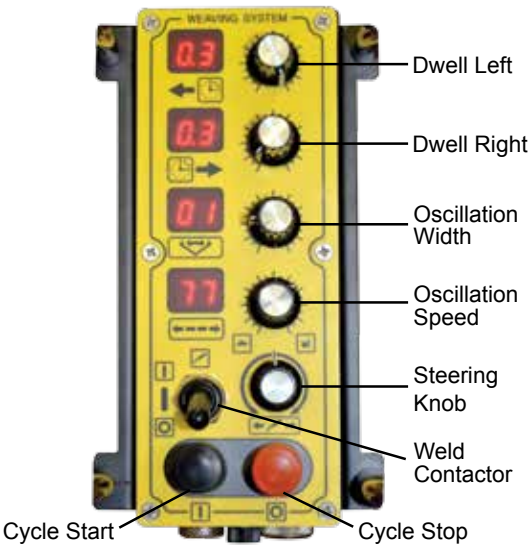
SBG-450-E-(A)-(B) 450 Amp Gun/Euro

(A)- Contact Tip Size 0.035" - 1/16" (0.89 - 1.59 mm)

(B)- Cable Length 15 ft (4.57 m) / 25 ft (7.62 m)

KBUG-6083

Plasma Torch Holder Assembly



K-BUG 5050 & K-BUG 6050 Controls



K-BUG 5050/6050 DIGITAL COMPACT WEAVE WELDERS

Technical Data: K-BUG 5050

Power Requirements:

KBUG-5050 120VAC/50-60Hz/1Ph

KBUG-5052 240VAC/50-60Hz/1Ph

Net Weight: 10 lbs. (4.5 kg.)

Shipping Weight: 14 lbs. (6.3 kg.)

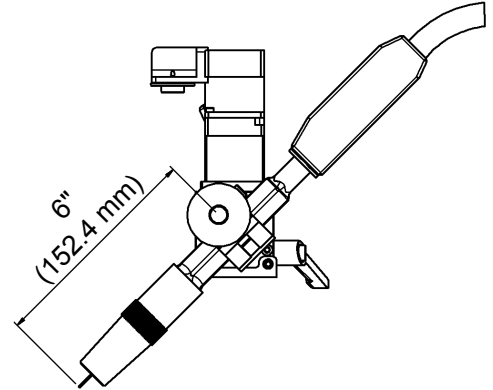
Welding Position: All position

Torch Holder: Fits torch barrels up to 0.75" (19 mm)

Weaver Speed: 0 - 188 in/min (4775 mm/min)

Weave Width*: 0 - 1 in (25.4 mm)

Cycles*: 80 cycles per min. at 1" (25.4 mm) stroke
115 cycles per min. at .5" (12.7 mm) stroke
200 cycles per min. at .25" (6.35 mm) stroke



* When torch Pivot-to-Tip length is 6" (152.4 mm) as shown above. Increasing the Pivot-to-Tip length will increase the maximum speed and the weave width.

Technical Data: K-BUG 6050

Power Requirements:

KBUG-6050 120VAC/50-60Hz/1Ph

KBUG-6052 240VAC/50-60Hz/1Ph

Net Weight: 14 lbs. (6.3 kg.)

Shipping Weight: 18 lbs. (8.2 kg.)

Welding Position: All position

Torch Holder: Fits torch barrels up to 0.75" (19 mm)

Weaver Speed: 0 - 100 in/min (2540 mm/min)

Weave Width: 0 - 2 in (51 mm)

