



CW-7 CWO-1700-MG Circle Welder

Features:

Welding control.

Wire feeder with one set of drive rolls.

DC drive motor and speed control for rotation.

Meter kit with 0-50 DC volt meter, 0-500 DC amp meter.

#5 Gun and cable assembly.

Burnback control.

50 ft. (15 m) control cable.

Quick disconnects for welding lead.

Weld switch.

Cold wire inch switch.

Wire direction switch.

Torch angle adjustor.

60 lbs. (27 kg.) wire reel.

Vertical and horizontal adjustment by rack and pinion.

Rise and fall slide assembly with 7" (175 mm) of movement.

Technical Data:

CWO-1700-MG

Current Rating:	500 amps CO ₂ , 400 amps mixed gases 60% duty cycle
Input Voltage:	115 VAC (from welder)
Wire Sizes:	Sub Arc, MIG: .035-3/32" (0.8-2.4 mm)
Rise and Fall Cam:	0-7" (0-175 mm)
Rotation Speed:	.2-2.2 rpm (100-3500 mm/min)
Welding Diameter:	Standard 6"-24" (150-600 mm) Optional 10-50" (254-1270 mm)
Height:	34" (864 mm)
Net Weight:	250 lbs. (113.6 kg)

The CW-7 may be used with any constant voltage power source with connections for 115 VAC and weld contactor.

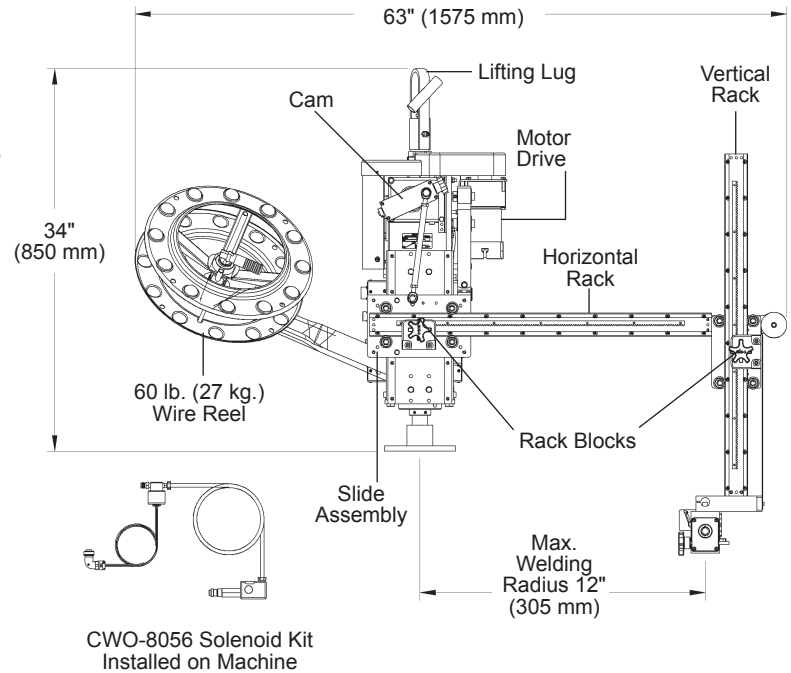
Options:

Horizontal and vertical adjustment may be motorized.

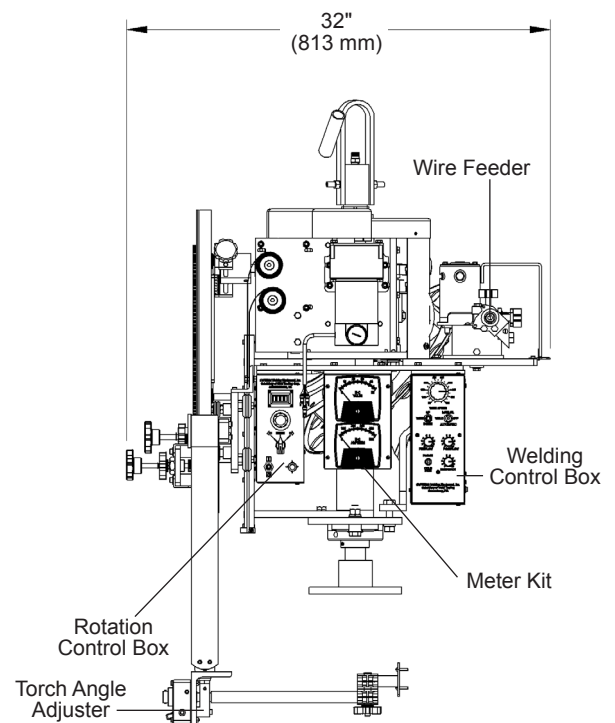
Oscillator when gas option is on machine.

Sub-Arc components available.

FRONT ELEVATION



SIDE ELEVATION





CW-7 CWO-1700-SA Circle Welder

Options:

Horizontal and vertical adjustment may be motorized.

Gas option for MIG and flux cored welding is available.

Flux Recovery System.

Features:

Welding control.

Wire feeder with one set of drive rolls.

DC drive motor and speed control for rotation.

Meter kit with 0-50 DC volt meter, 0-500 DC amp meter.

(K231 Sub Arc) Gun and cable assembly.

Nozzle flux cone.

Burnback control.

50 ft. (15 m) control cable.

Quick disconnects for welding lead.

Weld switch.

Cold wire inch switch.

Wire direction switch.

Torch angle adjustor.

Flux hopper with gate valve.

60 lbs. (27 kg.) wire reel.

Vertical and horizontal adjustment by rack and pinion.

Rise and fall slide assembly with 7" (175 mm) of movement.

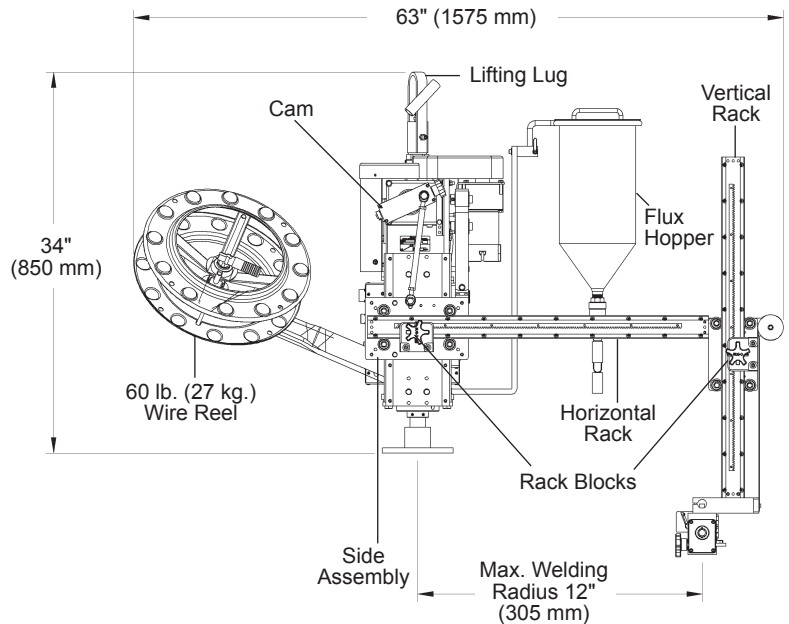
Technical Data:

CWO-1700-SA

Current Rating:	600 amps 60% duty cycle
Input Voltage:	115 VAC (from welder)
Wire Sizes:	Sub Arc, MIG: .035-3/32" (0.8-2.4 mm)
Rise and Fall Cam:	0-7" (0-175 mm)
Rotation Speed:	.2-2.2 rpm (100-3500 mm/min)
Welding Diameter:	Standard 6"-24" (150-600 mm) Optional 10-50" (254-1270 mm)
Height:	34" (864 mm)
Net Weight:	250 lbs. (113.6 kg)

The CW-7 may be used with any constant voltage power source with connections for 115 VAC and weld contactor.

FRONT ELEVATION



SIDE ELEVATION

